



Pittaluga Static Mixers WP

for turbulent flow conditions



Excellent mixing performance!
Outstanding price/quality ratio.

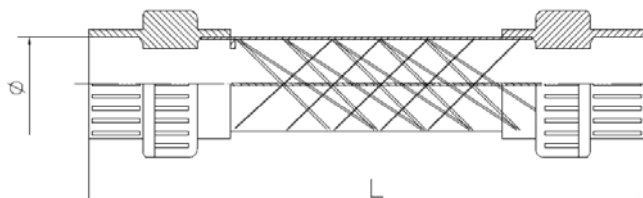


SGS
CERTIFICATO
UNI EN ISO 9001



Pittaluga Static Mixers WP

Sizes & Executions



Body from transparent PVC , connections from PVC, EPDM gaskets, mixing elements from PP
Maximum Operating Pressure, 4 barg. Maximum Operating Temperature, 45 °C.

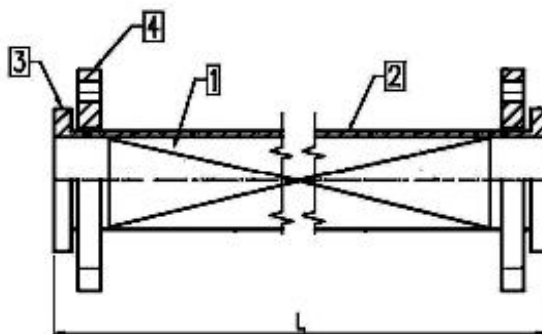
Connections to be glued

CODE	CONNECTIONS	L mm
WP 25 BI	D25 (DN20)	210
WP 32 BI	D32 (DN25)	230
WP 50 BI *	D50 (DN40)	347 / 385
WP 63 BI *	D63 (DN50)	360 / 405

* also available with additive port 1/2" GAS F

Threaded connections

CODE	CONNECTIONS	L mm
WP 3/4" BF	3/4"	210
WP 1" BF	1"	230
WP 1 1/2" BF	1 1/2"	347
WP 2" BF	2"	360



**Body from PVC, mixing elements from PP,
Flanges PN 10 from reinforced PP**
Maximum Operating Pressure, 8 bar g.
Maximum Operating Temperature, 45 °C.

CODE	FLANGES	L mm
WP 25 F PVC	DN 25	180
WP 40 F PVC	DN 40	230
WP 50 F PVC	DN 50	260

**Body & mixing elements from PP,
Flanges PN 10 from reinforced PP**
Maximum Operating Pressure, 8 bar g.
Maximum Operating Temperature, 60 °C.

CODE	FLANGES	L mm
WP 25 F PP	DN 25	180
WP 40 F PP	DN 40	230
WP 50 F PP	DN 50	260

WP-EN Settembre 2013 Rev. 5

Distributed by:



Dr. B. PITTALUGA & C srl
Via Muratori, 18
24030 MOZZO – ITALY
Tel. +39 035 466246
Fax. +39 035 618710
E-mail. info@pittamix.it

