



Pittaluga Static Mixers

XPS Mixing Nozzles



STOP TO HOMOGENEIZATION PROBLEMS ! Stretch your screw !

- Perfect distribution of color.
- Perfect distribution of additives.
- Superior mechanical strength.
- Fewer rejects.
- Invisible when changing colour.
- Closer tolerances on your pieces.
- Excellent mixing power.
- Reduction of cycle time.
- Amazingly fast pay-back.
- Very little Pressure loss.

**The XPS Mixing Elements homogeneize
any polymer melt inside your nozzle**

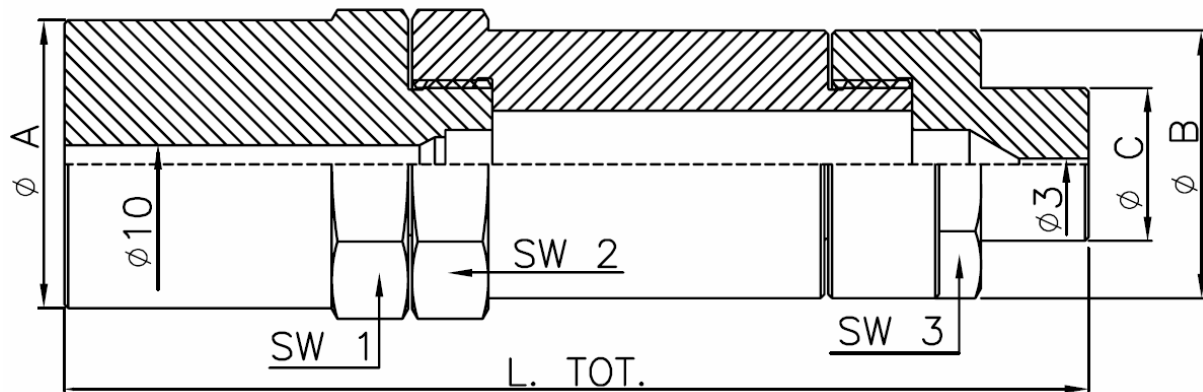
FEATURES & SELECTION

TYPE	High viscosity HDPE – ABS Filled PP	Medium viscosity GPS – HIPS – PP MVI 1-5	Low viscosity NYLON – PP LDPE	Screw diameter (mm)
XPS 28/18	750	850	950	Up to 120
XPS 34/24	1350	1550	1900	Up to 150
XPS 42/32	3900	5000	6100	Up to 200
Flow rate	Cm3 /Sec.	Cm3 / Sec	Cm3 / Sec	

SEMI-FINISHED NOZZLE DIMENSIONS (mm)

TYPE	A	B	C	SW 1	SW 2	SW 3	Total length
XPS 28/18	70	60	40	60 x 25	60 x 25	46 x 10	270
XPS 34/24	80	70	40	70 x 30	70 x 30	60 x 30	300

Larger sizes are available upon request.



Materials: Mixing Elements, 17-4 PH, Nozzle Body, 38 NCD4

XPS-I-EN 2007 Rev. 3

Distributed by:



Dr. B. PITTALUGA & C srl
 Via Muratori, 18
 24030 MOZZO – ITALY
 Tel. +39 035 466246
 Fax. +39 035 618710
 E-mail. info@pittamix.it